

Sea Eagle FPSO Helicopter Refueling System Project

Shell Nigeria Exploration and Production Company (SNEPCo)

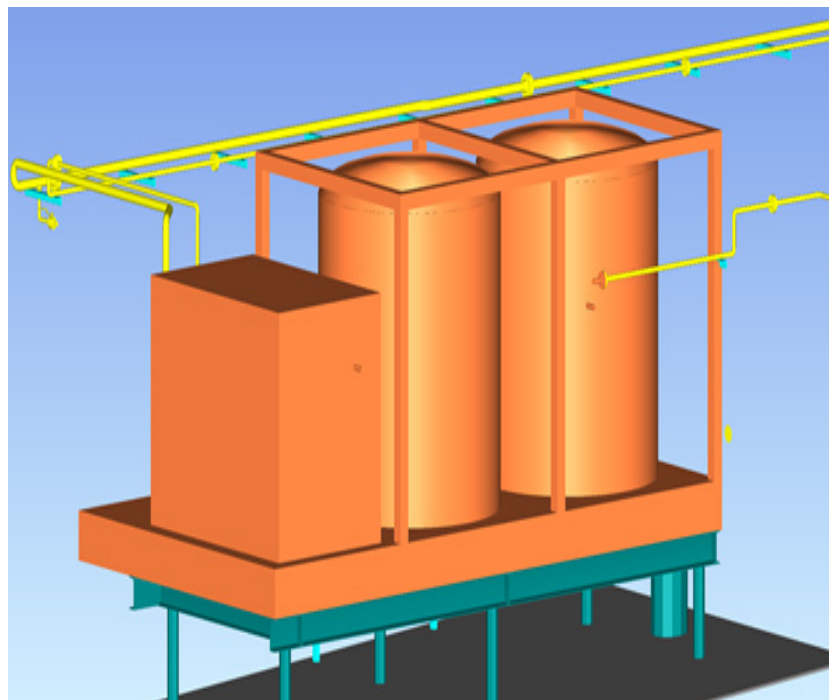
Ariosh completed Detailed Engineering of Sea Eagle FPSO Helicopter Refueling System Installation with zero field welds.

The Sea Eagle FPSO is located 90km South West of Warri, Nigeria with a production capacity of 170,000 BPD, 100 MMSCFD and 1.4 million

The project is to equip the FPSO with Helicopter refueling system to facilitate direct flight from Lagos to Sea-Eagle against the existing Lagos-Ogunu-Sea Eagle route. Commissioning is forecasted for Q3 2017.

The scope of work contracted to Ariosh included Detailed engineering design for the following new facilities:

- 2 x 2900L Jet A1 Fuel storage tanks complete with skid and drip pan
- Fuel Dispensing unit
- Fuel pump
- Deluge system
- Deck extension to support new equipment
- Hookup
 - Piping tie-ins
 - E & I Hookup
- Construction support



Services

Detailed Design and construction support

Facilities

2 x 2900L Jet A1 Storage Tanks, Jet A1 Dispensing unit, Fuel pumps

Location

Nigeria, West Africa

Completion Status

Ongoing